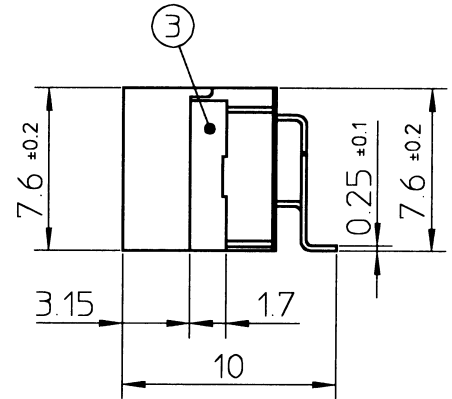
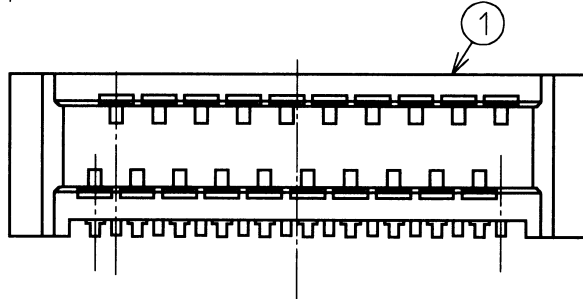
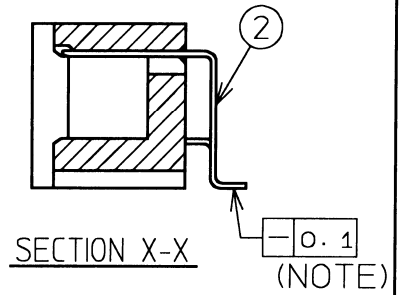


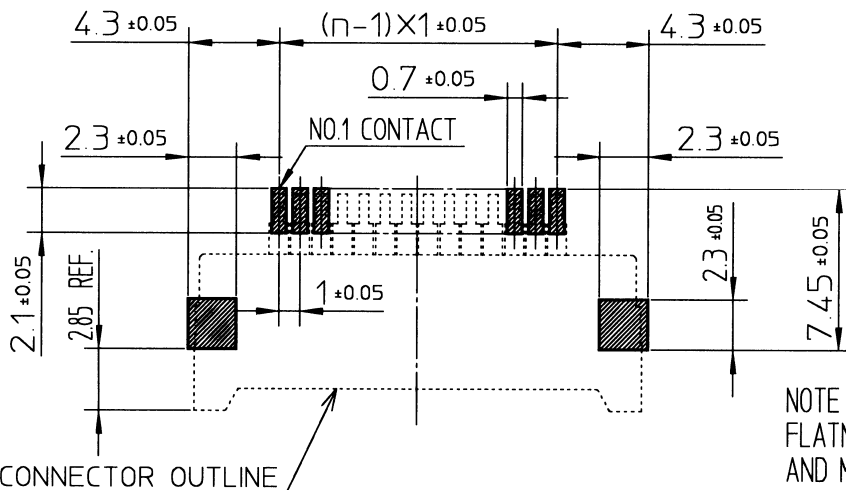
TOLERANCES
UNLESS OTHERWISE SPECIFIED : ± 0.3



PT. NO.	PARTS NAME	MATERIAL	Q'TY	NOTE
1	HOUSING	GLASS FILLED THERMOPLASTIC RATED (UL94V-0)	1	COLOR:BRACK
2	CONTACT	PHOSPHOR BRONZE	n	PLATING:TIN ALLOY
3	MOUNTING PLATE	BRASS	2	PLATING:TIN ALLOY

RECOMMENDED PC BOARD LAYOUT
(COMPONENT SIDE)

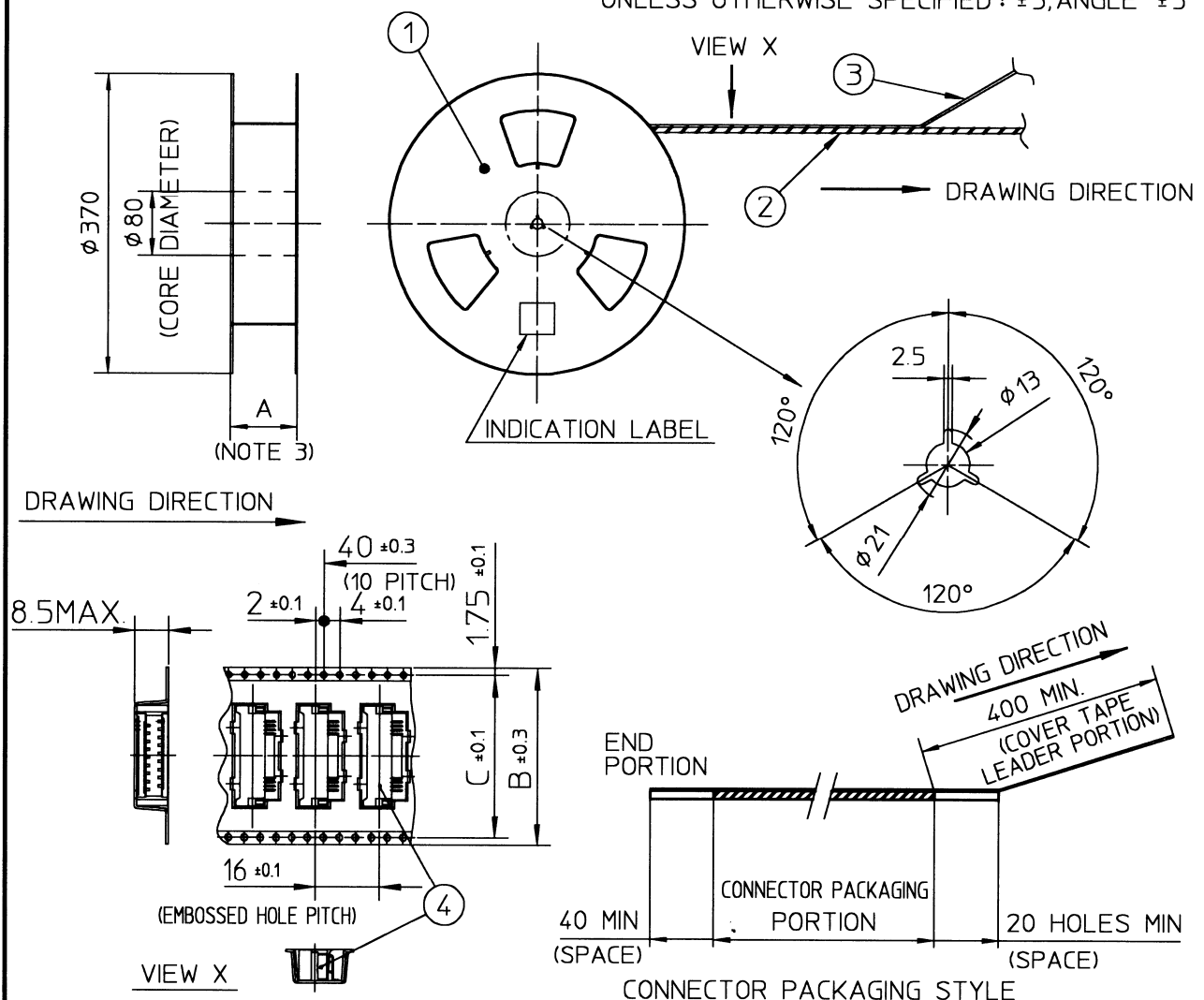
n:NO. OF CONTACTS
(10 TO 30 , ONLY EVEN POS.)



NOTE
FLATNESS FOR CONTACT TERMINAL
AND MOUNTING PLATE MUST BE WITHIN 0.1.

				尺度 SCALE	×	単位 DIM.IN	mm	品名 PRODUCT NAME	FLOATING BOARD TO BOARD RECEPTACLE CONNECTOR (SMT)	
				設計 DESIGN	m.koga AUG. 2, 2001			型番 CAT.NO.	BTFW__R-3RST	
				製図 DRAWN	S. Nakajima 8/2/01			図番 DWG.NO.	JSA 95588	REV. 0
REV.	日付 DATE	変更内容 DESCRIPTION	承認 APPD	承認 APPD	S. Nakajima					DF-123 REV.B

TOLERANCES
UNLESS OTHERWISE SPECIFIED: ±5, ANGLE ±5°



PT. NO.	PARTS NAME	CAT. NO.	MATERIAL	Q'TY	NOTE
1	REEL	—	CARDBOARD	1	—
2	PLASTIC (EMBOSS) TAPE	—	PET RESIN OR PP RESIN	—	COLOR : TRANSPARENCY
3	COVER	—	POLYESTER	—	COLOR : TRANSPARENCY
4	CONNECTOR	BTFW__R-3RST	SEE ATTACHED DWG.	700	—

DIMENSIONS

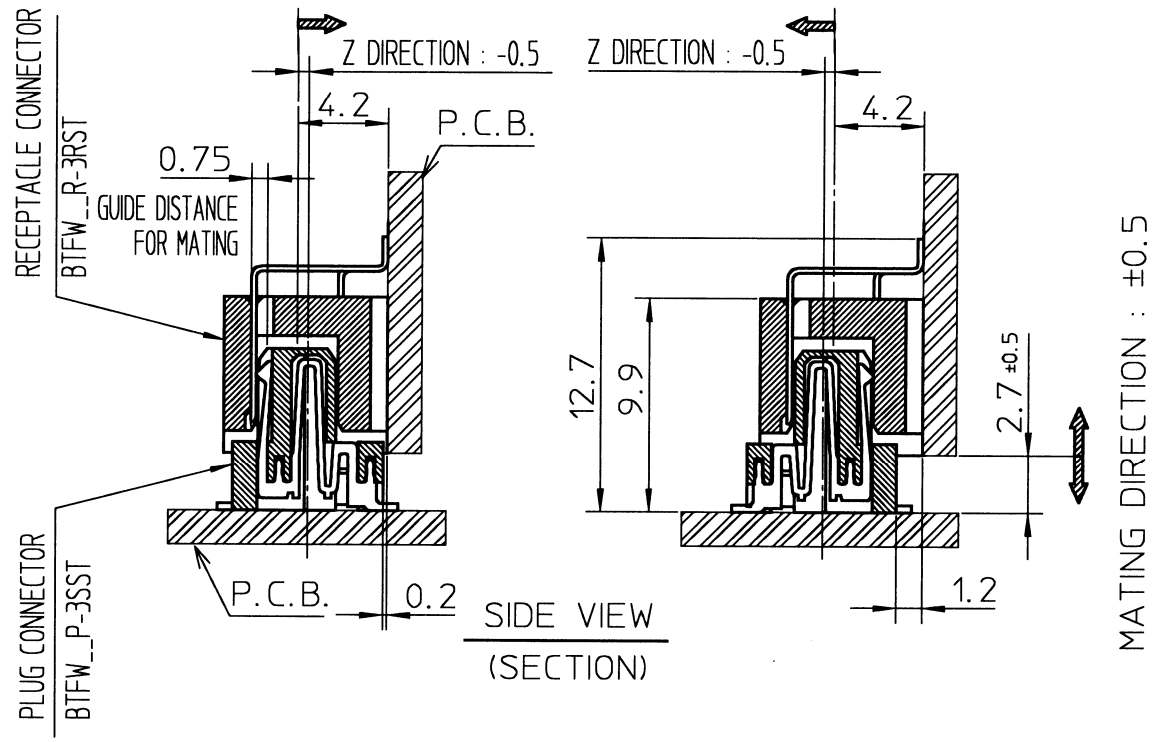
CATALOG NUMBER	NO. OF CONTACT(ONLY EVEN POS.)	A	B	C
BTFW10~14R-3RSTE1	10~14	38.4	32	28.4
BTFW16~24R-3RSTE1	16~24	50.4	44	40.4
BTFW26~30R-3RSTE1	26~30	62.4	56	52.4

- NOTES
1. THIS IS PLASTIC TAPE PACKAGED CONNECTOR USED FOR BOARD TO BOARD COPES WITH AUTOMATIC MOUNTING (SMT).
 2. SEE JIS C 0806 (PACKING OF ELECTRONIC COMPONENTS ON CONTINUOUS TAPES (SURFACE MOUNTING DEVICES)) FOR SHAPE AND DIMENSIONS OF PLASTIC (EMBOSS) TAPE AND REEL.
 3. THIS DIMENSION IS PORTION OF THE CORE.

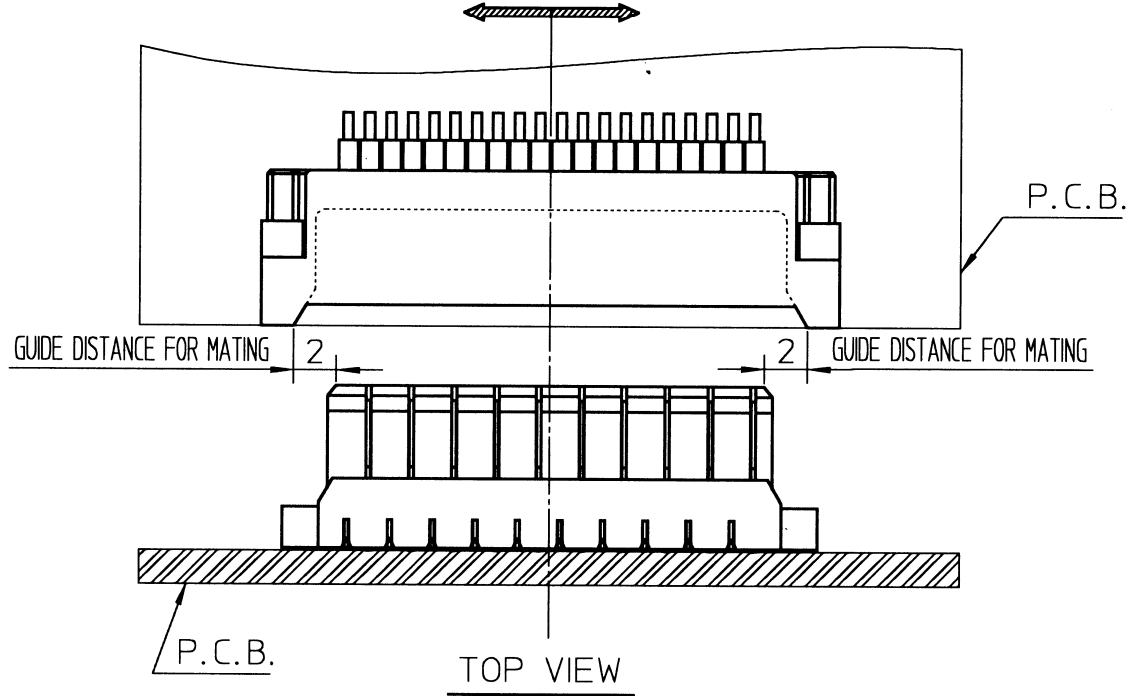
4				SCALE	\times	UNIT	mm	PRODUCT NAME	PLASTIC TAPE PACKAGED BOARD TO BOARD RECEPTACLE CONNECTOR
3				DESIGNED		June 10, 1999		CAT. NO.	BTFW__R-3RSTE1
2				DRAWN		M.Koga		DWG. NO.	JSA 95033
1	Sep 28 2000	CHANGED TAPE WIDTH	<i>mk S.N</i>	CHECKED					REV. 1
REV.	DATE	REVISED DESCRIPTION	APPROVED	APPROVED		K.Sueki			

THIS FIGURE SHOW THE CONNECTOR MATING BY MAKING CENTER AS CRITERIA.

FLOATING ALLOWANCE MATING DIRECTION : ± 0.5
 PITCH DIRECTION : ± 0.8
 Z DIRECTION : ± 0.5



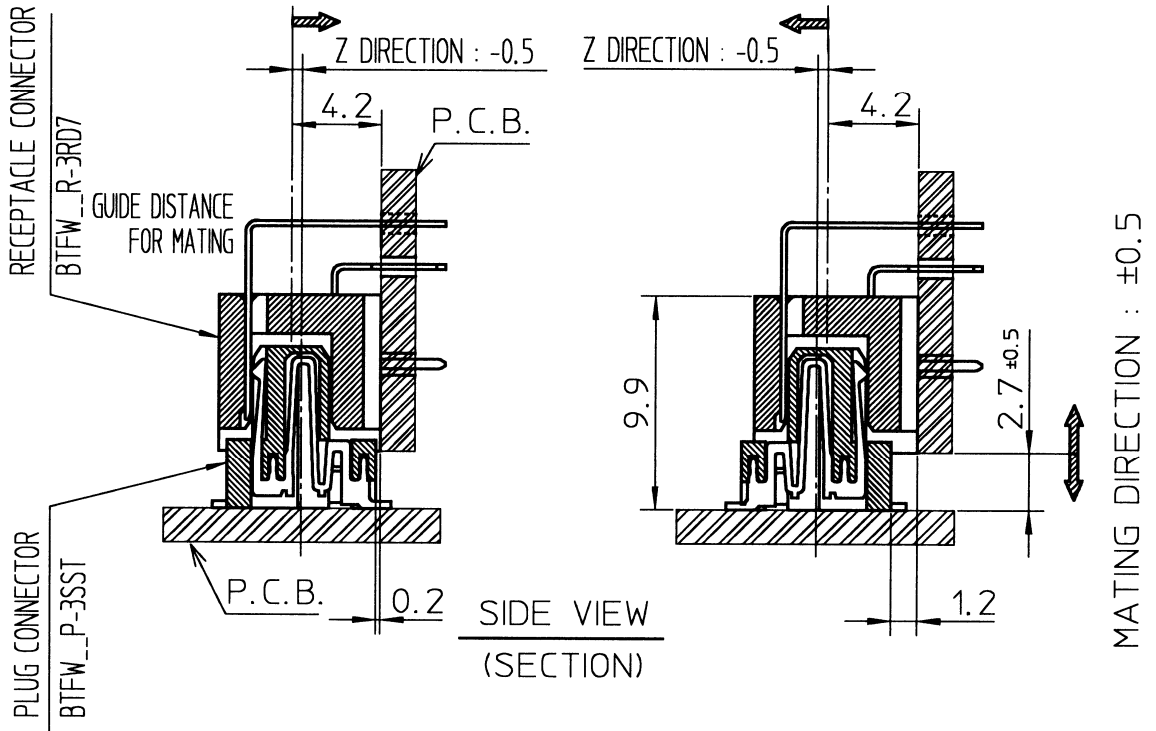
PITCH DIRECTION : ± 0.8



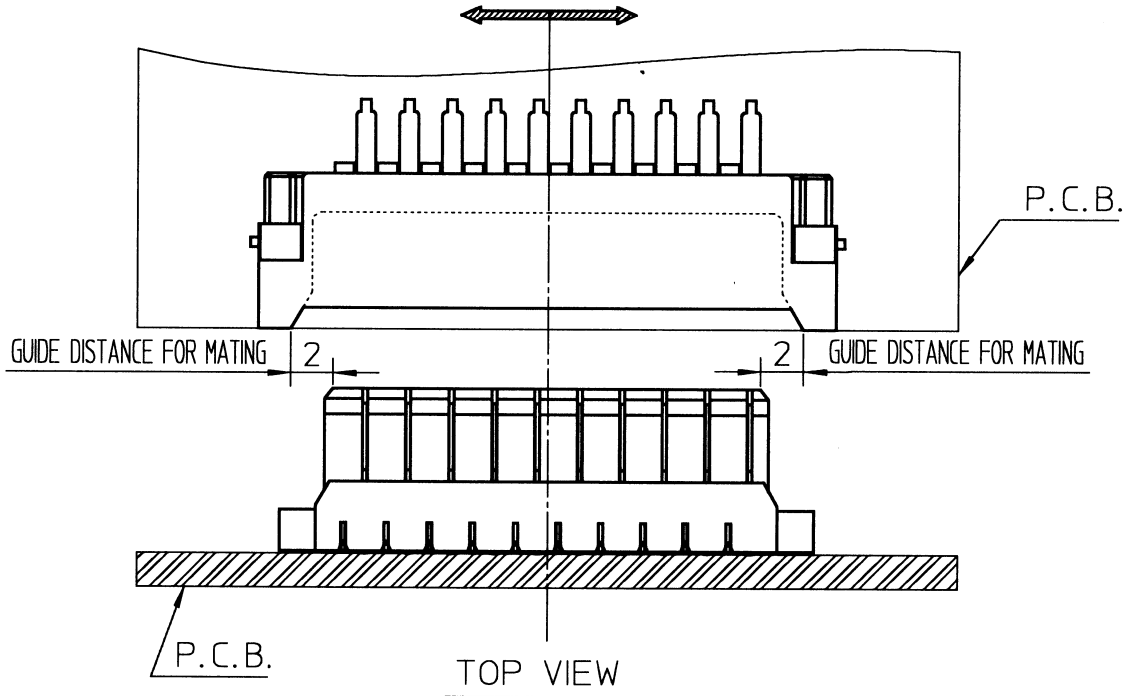
4				SCALE	\times	UNIT	mm	PRODUCT NAME	CROSS SECTION OF MATED CONDITION		
3				DESIGNED				CAT. NO.	BTFW_P-3SST/ BTFW_R-3RST		
2				DRAWN				DWG. NO.	JSA 94532	REV. 0	
1				CHECKED							
REV.	DATE	REVISED DESCRIPTION	APPROVED	APPROVED	K. Suda						

THIS FIGURE SHOW THE CONNECTOR MATING BY MAKING CENTER AS CRITERIA.

FLOATING ALLOWANCE MATING DIRECTION : ± 0.5
 PITCH DIRECTION : ± 0.8
 Z DIRECTION : ± 0.5



PITCH DIRECTION : ± 0.8



4				SCALE	\times	UNIT	mm	PRODUCT NAME	CROSS SECTION OF MATED CONDITION		
3				DESIGNED				CAT. NO.	BTFW_P-3SST/ BTFW_R-3RD7		
2				DRAWN				DWG. NO.	JSA 95032	REV. 0	
1				CHECKED							
REV.	DATE	REVISED DESCRIPTION	APPROVED	APPROVED	[Signature]						